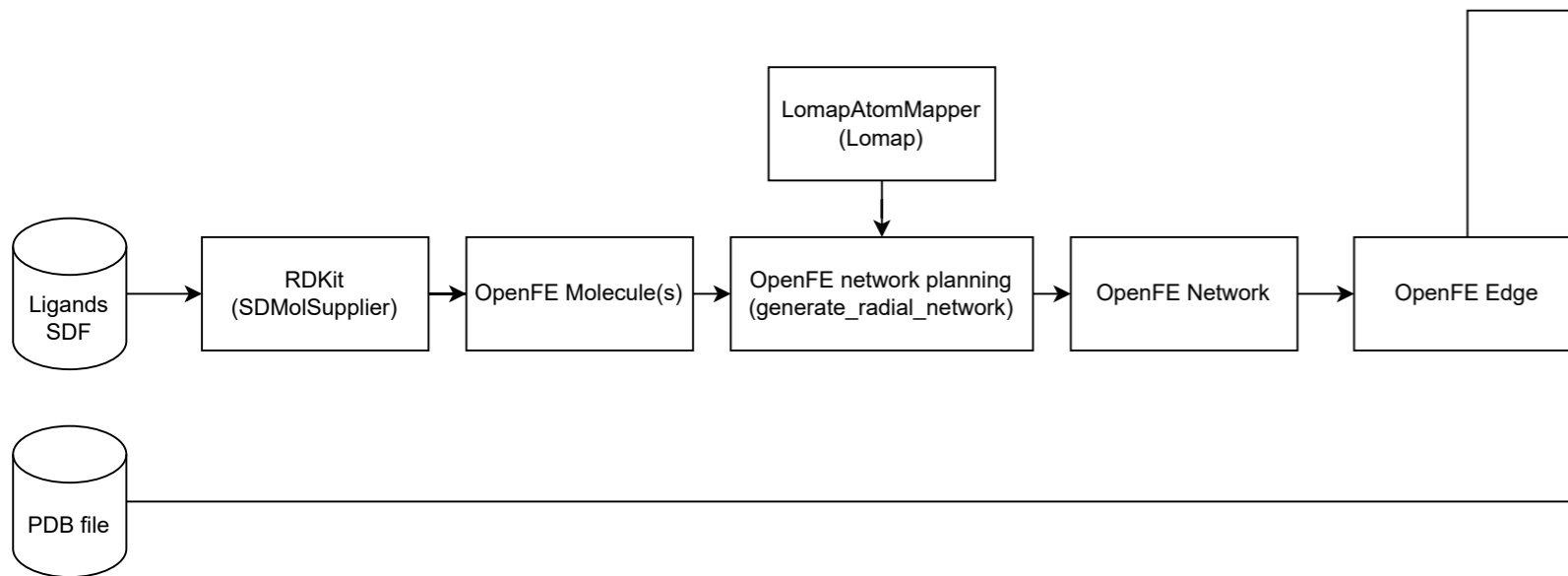
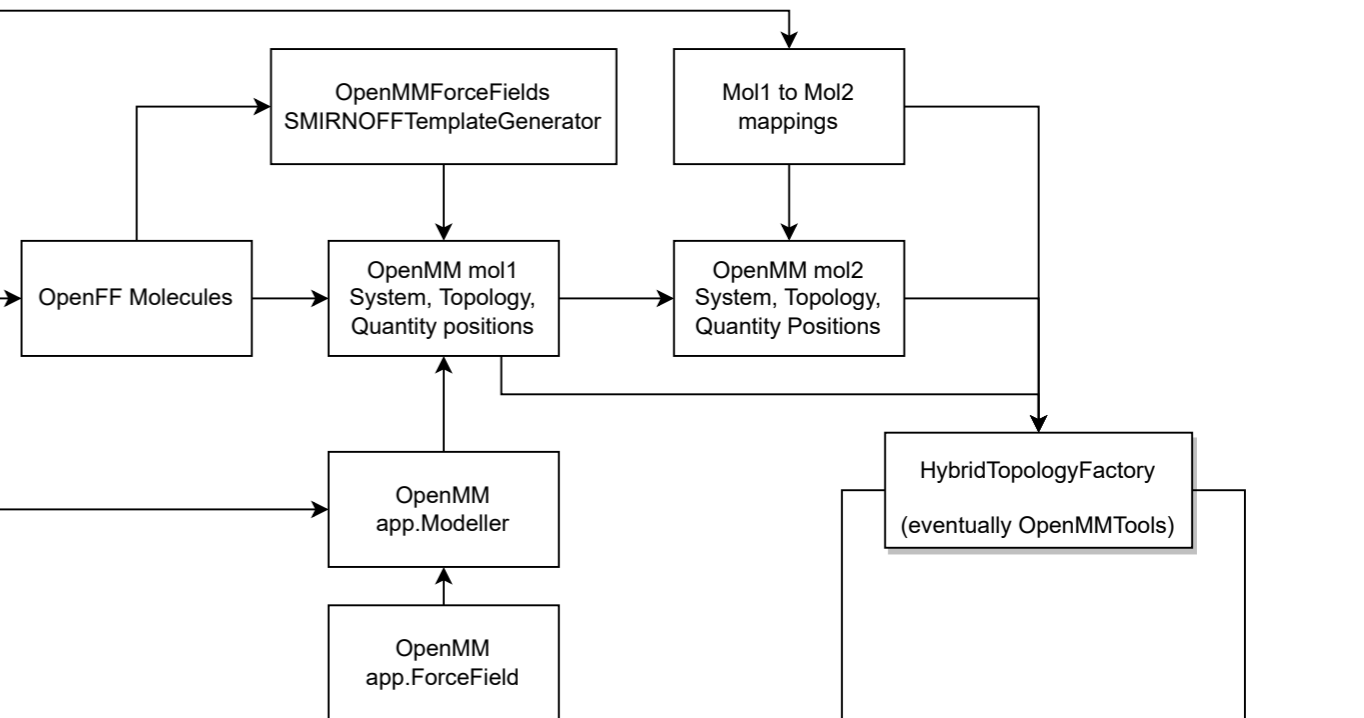


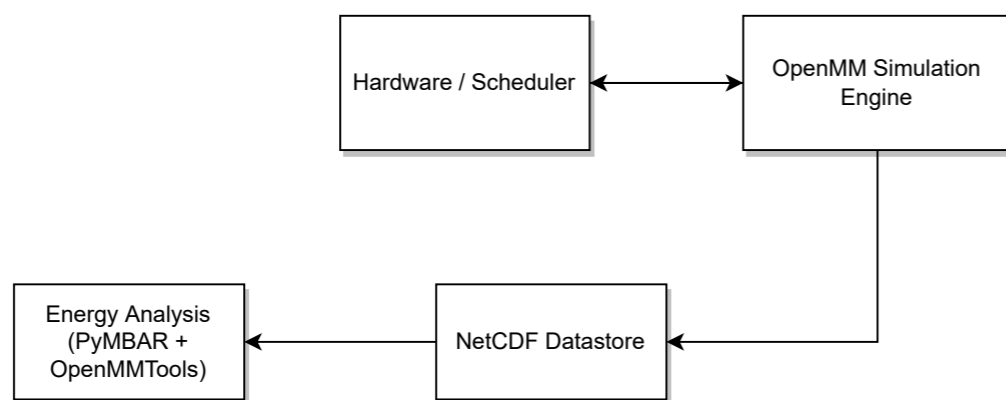
## Network Preparation



## Hybrid Topology Building



## Simulation and Analysis



## OpenMM Simulation Building

